



EV365ZL PA

set of pull handles including back to back fixings without logo

Product information

Code: 3101G001IMXX3ZL

Finish: PVD satin gold

UNIT: Pair

Collection: NOUR

Designer: Edward van Vliet

EAN code: 8718009328224

NOUR by Edward van Vliet

The NOUR series is a total concept collection consisting of door, window, and furniture fittings.

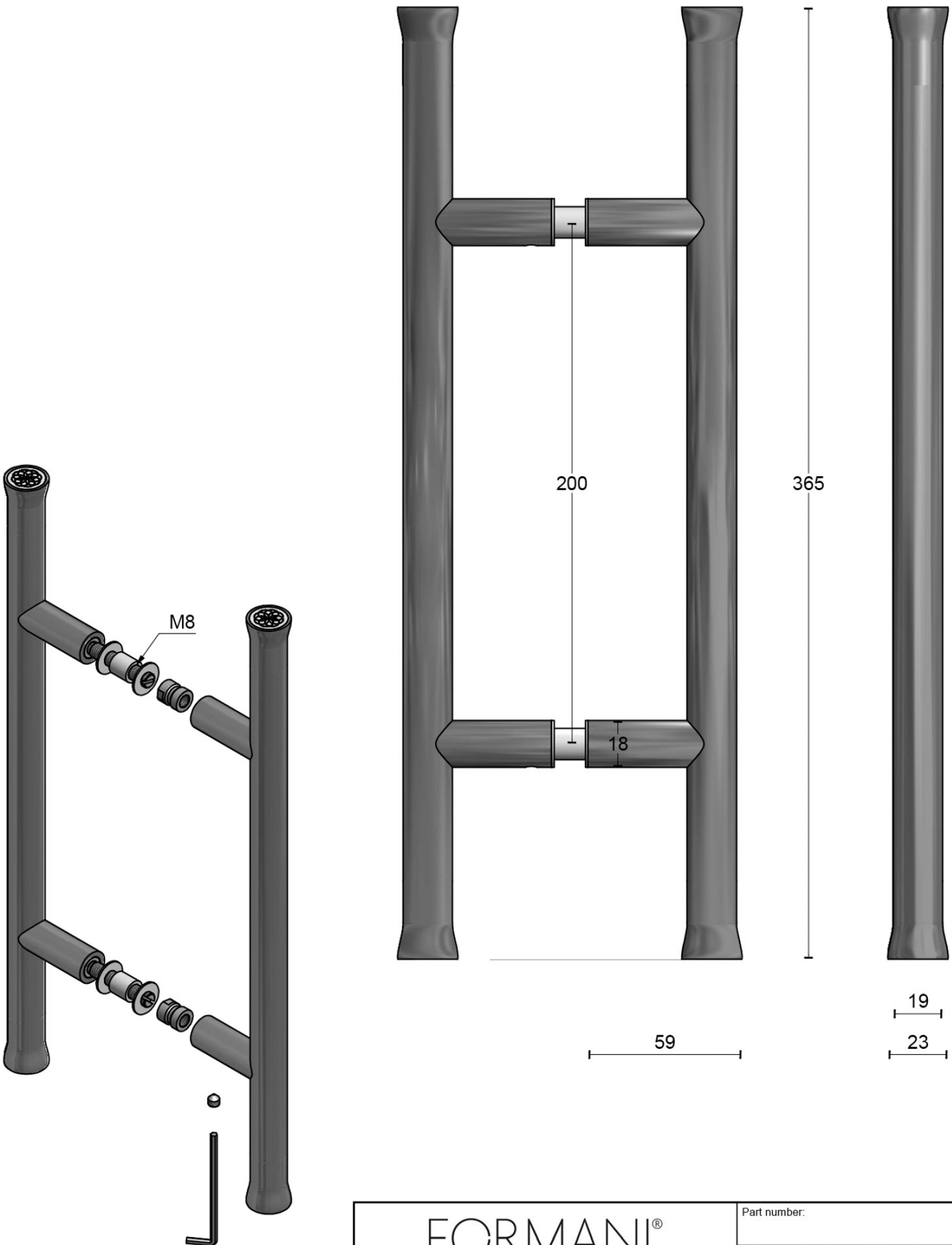
Finishes

- satin black
- polished stainless steel
- PVD satin gold

EV365 PA

solid pull handle
back to back fixing
stainless steel
PVD satin gold

METALFORM



FORMANI®		Part number:	
		Description:	
Doc no.: 3101G001IMXX3 EV365 PA IM V02.dwg	EV365 PA IM		Format: A3
Drawn by: Christian Brimbois	Creation date: 14-1-2014		
Formani Holland B.V. · Amerikalaan 55 · 6199 AE Maastricht Airport · tel: +31 (0)43 308 90 00 · www.formani.nl · info@formani.nl			

NOUR

by Edward van Vliet

Our NOUR series by Edward van Vliet combines an international appeal and aesthetic with excellent ergonomic features. The door handle's design perfectly fits into the shape of your hand thanks to the streamlined silhouettes. In addition to its excellent ergonomic factor, this special design has drawn on many aesthetic influences from the Far and Middle East. The NOUR series concerns a comprehensive total concept collection including door, window, and furniture fittings and received a German Design Award thanks to its range of unique characteristics, one of which being its inherent flexibility. The range has a modular structure, so that the grips can be replaced and other colours substituted. This allows for a variety of stunning combinations of polished stainless steel, PVD matt gold, matt black, and matt white, completed with a signature or logo specially designed for FORMANI.

NOUR

by Edward van Vliet



METALFORM
FORMANI®

A black and white portrait of Edward van Vliet, a man with short, dark hair and a slight beard, wearing a dark t-shirt and a thin chain necklace. He is looking directly at the camera with a neutral expression.

Edward van Vliet

Winterswijk, 1965

Design philosophy: Creating worlds

Layers creating depth and dimension are key at Studio Edward van Vliet. His design is based on creating an experience by going beyond aesthetic boundaries, ensuring a keen eye for detail, and incorporating various cultural influences. His collaboration with FORMANI resulted in the creation of the NOUR hardware series, from the design of which is inspired by influences from the Far East. Our door fittings are the hidden gems of these architectural layers. They are treasures that enrich and personalize each space.'

**METALFORM
FORMANI®**

Brand story

FORMANI has evolved considerably over the last few decades – from a Dutch family business to an internationally renowned designer brand, from door handles to total design concepts, from product development to collaborations with world-class designers. It was an evolution driven by pure ambition and courage. Our motto, ‘Obsessed with details’, epitomizes everything we do, from product to process, from strategy to service. Because it is these details that make the difference between good and perfect. At FORMANI, good is the enemy of great.

Formani Holland b.v.
Europalaan 12
6199 AB
Maastricht-Airport

T: +31(0)43 308 9000
E: info@formani.com

Chamber of Commerce:
146 27 479

**METALFORM
FORMANI®**

METALFORM

MASTERS OF METAL

UNITED KINGDOM

METALFORM

NORWAYMETAL LTD

53 Chelsea Manor Street

London, SW3 5RZ

SALES@METALFORM.UK

+44 20 81298814

GERMANY

METALFORM GMBH

Carl-Zeiss-Ring 15A

85737 Ismaning

SALES@METALFORMGROUP.DE

+49 17663630406

NORWAY

METALFORM AS

Brochmannsveien 2

1950 Rømskog

SALG@METALFORM.NO

+47 401 62 446

METALFORMGROUP

SALES@METALFORMGROUP.COM