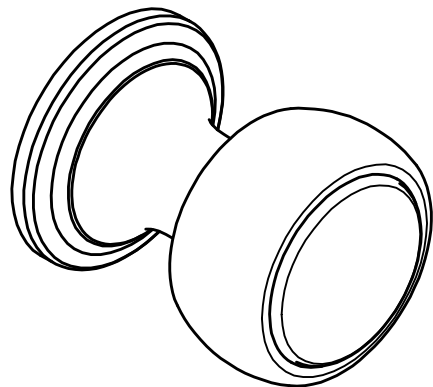
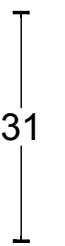
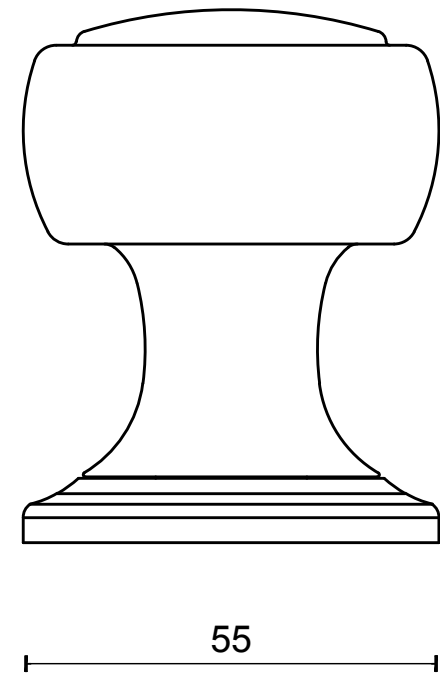
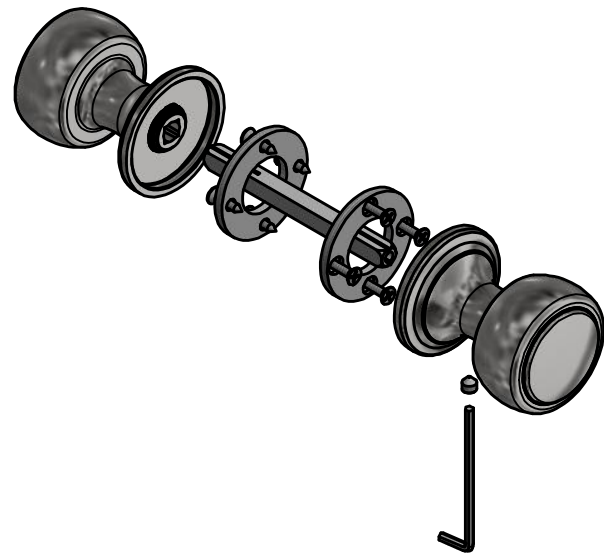
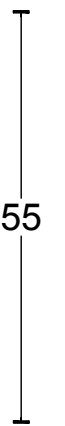
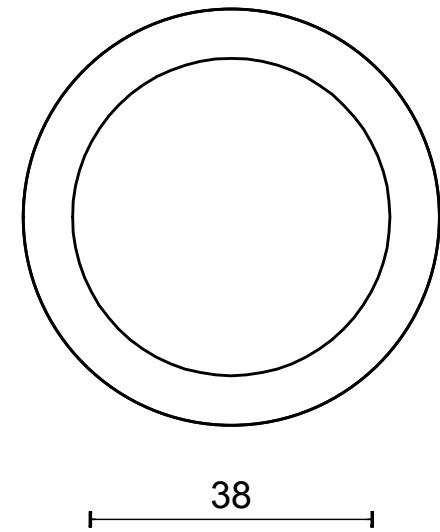
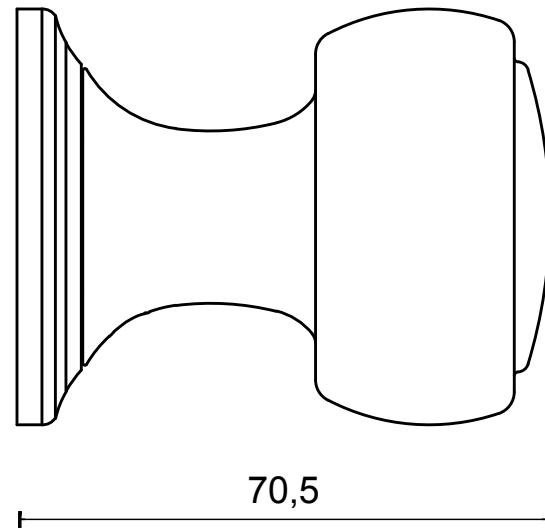


# LZ200PD

solid unsprung knob to  
operate on rose  
with metal sub-rose

stainless steel or brass

# METALFORM



<b>FORMANI</b> <sup>®</sup>		Part number:	
		LZ200PD	
Doc no.: 3402K001 5 LZ200PD V01.dwg	Description:		Format:
Drawn by: Christian Brimbois	Creation date: 29-8-2017	A3	
FORMANI HOLLAND B.V. EUROPALAAN 12 6199 AB MAASTRICHT-AIRPORT NL T +31 (0)43 308 90 00 INFO@FORMANI.COM FORMANI.COM			

# METALFORM

**MASTERS OF METAL**

**UNITED KINGDOM**  
**METALFORM**  
**NORWAYMETAL LTD**  
53 Chelsea Manor Street  
London, SW3 5RZ  
**SALES@METALFORM.UK**  
**+44 20 81298814**

**GERMANY**  
**METALFORM GMBH**  
Carl-Zeiss-Ring 15A  
85737 Ismaning  
**SALES@METALFORMGROUP.DE**  
**+49 17663630406**

**NORWAY**  
**METALFORM AS**  
Brochmannsveien 2  
1950 Rømskog  
**SALG@METALFORM.NO**  
**+47 401 62 446**

**METALFORMGROUP**  
**SALES@METALFORMGROUP.COM**