



## FVT110/52

solid unsprung door handle on rose

### Product information

Code: 1501D082INXX0

Finish: satin stainless steel

UNIT: Pair

Collection: FERROVIA

Designer: Formani

EAN code: 8718009078013

### FERROVIA by Formani

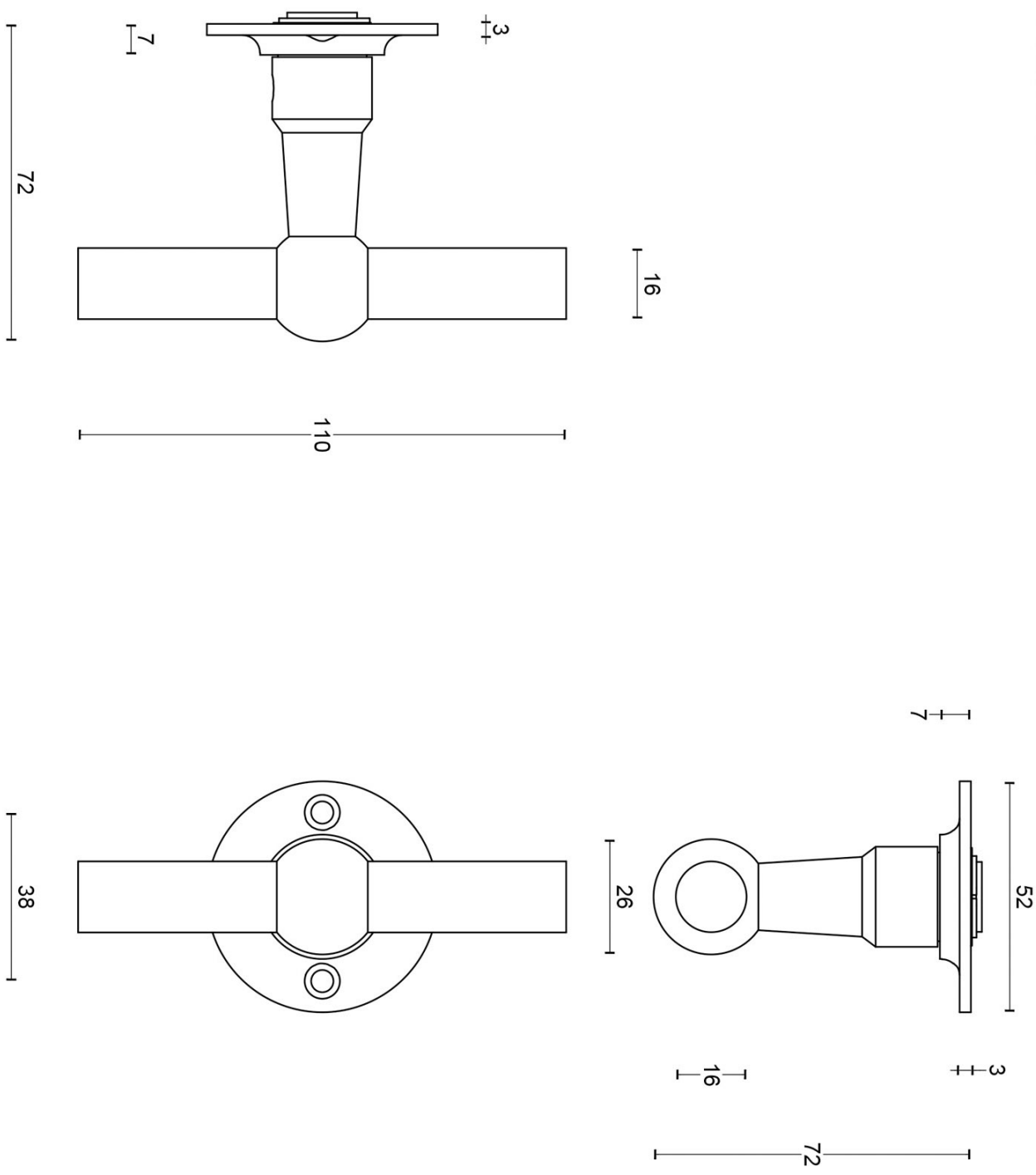
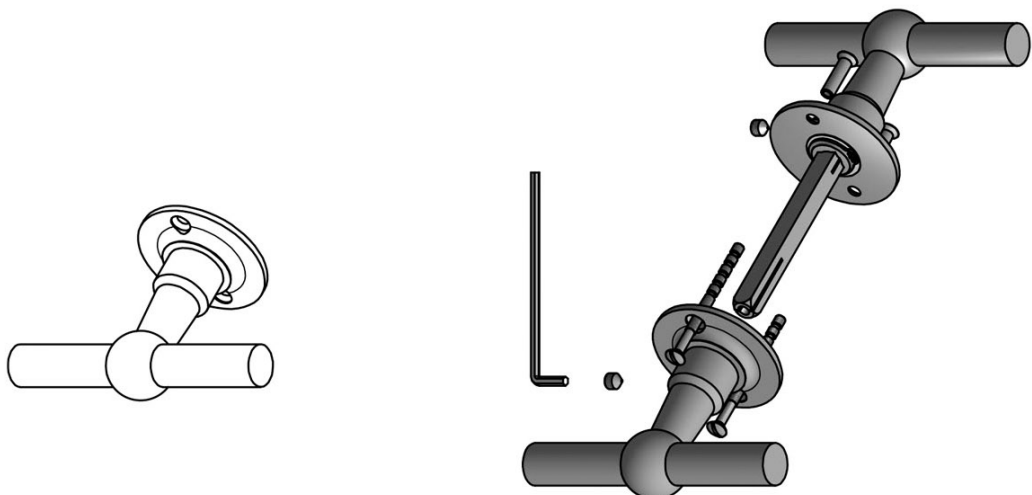
The FERROVIA series is a total concept collection consisting of door, window, and furniture fittings.

### Finishes

- satin stainless steel
- polished stainless steel

# FVT 110/52

unsprung lever handle on rose  
stainless steel



# METALFORM

<b>FORMANI®</b>		Part number:	
Doc no.: 1501D082 FVT110 52 V02.dwg		Description:	<b>FVT 110/52</b>
Drawn by: Christian Brimbois	Creation date: 14-11-2014	Format:	<b>A3</b>
FORMANI HOLLAND B.V. EUROPAALAN 12 6199 AB MAASTRICHT AIRPORT NL T +31 (0)43 308 90 00 INFO@FORMANI.COM FORMANI.COM			

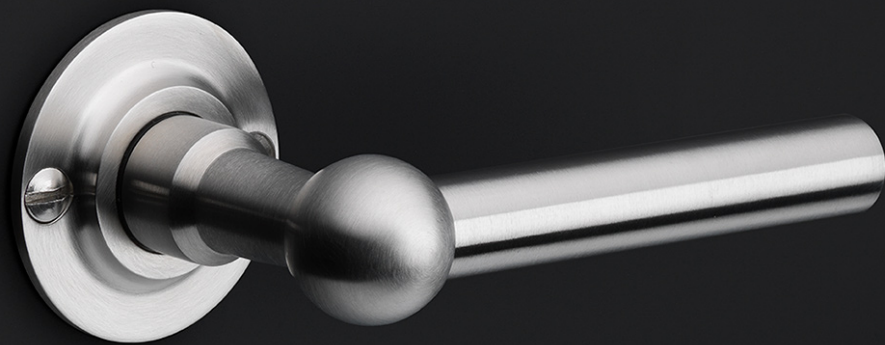
# FERROVIA

by Formani

**Our FERROVIA hardware series is an ode to the railways of the early twentieth century. Having often been used in first-class train carriages, this particular style of door handle is held up as a piece of understated luxury thanks to its elegant shapes, curves, and clean lines. The design is characterized by its spherical shape that connects the lever to its neck. The 'T-handle' was especially popular in train carriage design at the time, and is still a common design feature in many interiors and exteriors. The FERROVIA hardware series has been modernized and produced from solid stainless steel (available in a matte or polished finish). It concerns a total concept collection, including door, window and cabinet fittings and is complemented by the usual accessories, which enable one uniform style to be applied to all areas within the home or any other property.**

# FERROVIA

by Formani



METALFORM  
FORMANI®

# Brand story

**FORMANI has evolved considerably over the last few decades – from a Dutch family business to an internationally renowned designer brand, from door handles to total design concepts, from product development to collaborations with world-class designers. It was an evolution driven by pure ambition and courage. Our motto, ‘Obsessed with details’, epitomizes everything we do, from product to process, from strategy to service. Because it is these details that make the difference between good and perfect. At FORMANI, good is the enemy of great.**

---

Formani Holland b.v.  
Europalaan 12  
6199 AB  
Maastricht-Airport

T: +31(0)43 308 9000  
E: [info@formani.com](mailto:info@formani.com)

Chamber of Commerce:  
146 27 479

**METALFORM  
FORMANI®**

# METALFORM

MASTERS OF METAL

**UNITED KINGDOM**

**METALFORM**

**NORWAYMETAL LTD**

53 Chelsea Manor Street

London, SW3 5RZ

**SALES@METALFORM.UK**

**+44 20 81298814**

**GERMANY**

**METALFORM GMBH**

Carl-Zeiss-Ring 15A

85737 Ismaning

**SALES@METALFORMGROUP.DE**

**+49 17663630406**

**NORWAY**

**METALFORM AS**

Brochmannsveien 2

1950 Rømskog

**SALG@METALFORM.NO**

**+47 401 62 446**

**METALFORMGROUP**

**SALES@METALFORMGROUP.COM**