



TB100

solid sprung door handle on hidden rose

Product information

Code: 2901D001INXX0

Finish: satin stainless steel

UNIT: Pair

Collection: FOLD

Designer: Tord Boontje

EAN code: 8718009218167

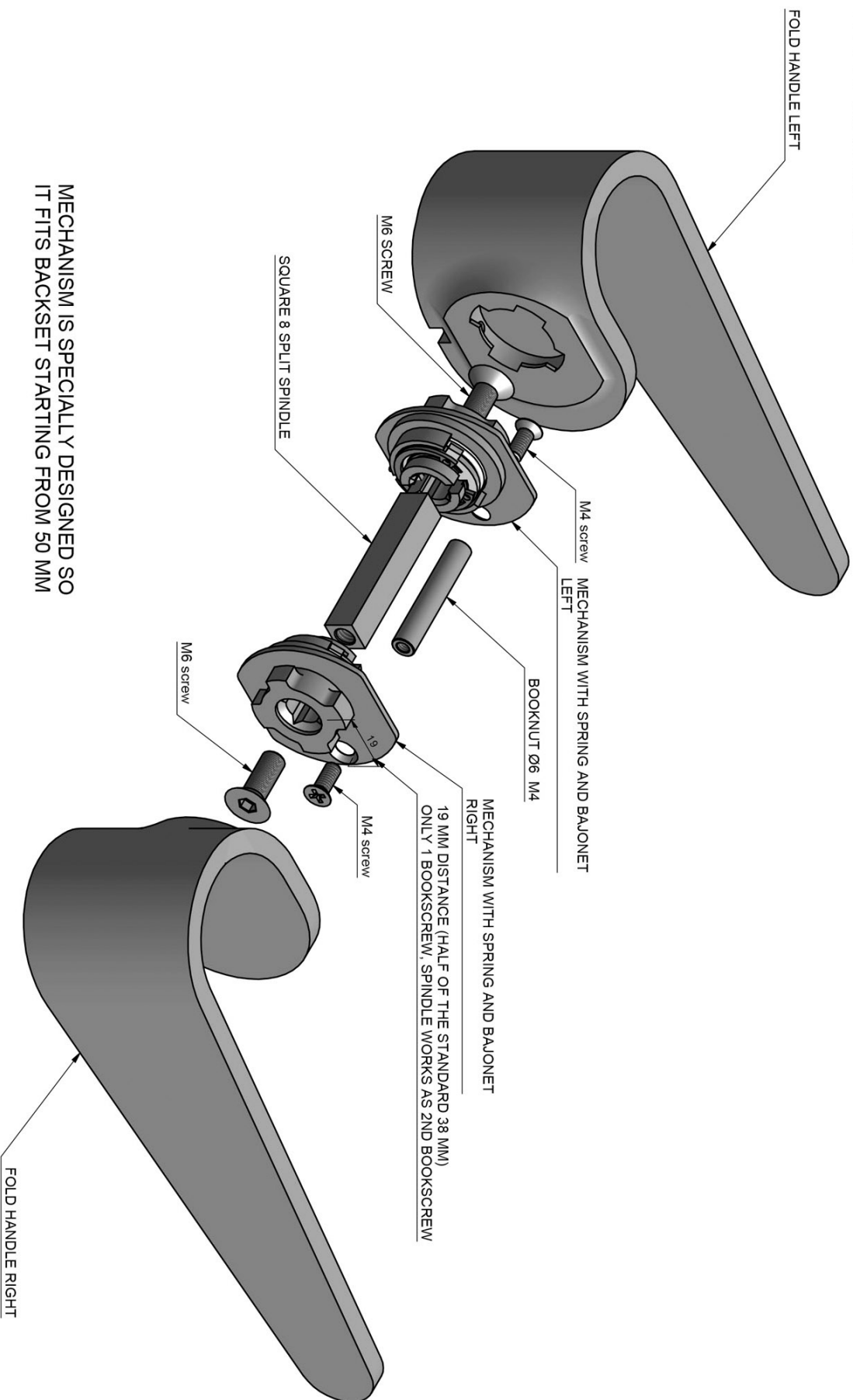
FOLD by Tord Boontje

The FOLD series is a total concept collection consisting of door, window, and furniture fittings.

Finishes

- satin stainless steel

TB100 detailed view



MECHANISM IS SPECIALLY DESIGNED SO IT FITS BACKSET STARTING FROM 50 MM

METALFORM

FORMANI®		Part number:	
Doc no.:	2901D001 TB100 DETAILED VIEW V02.dwg	Description:	TB100 detailed view
Drawn by:	Christian	Creation date:	31-1-2013
Formani Holland B.V. · Amerikalaan 55 · 6199 AE Maastricht Airport · tel: +31 (0)43 308 90 00 · www.formani.nl · info@formani.nl		Format:	A3

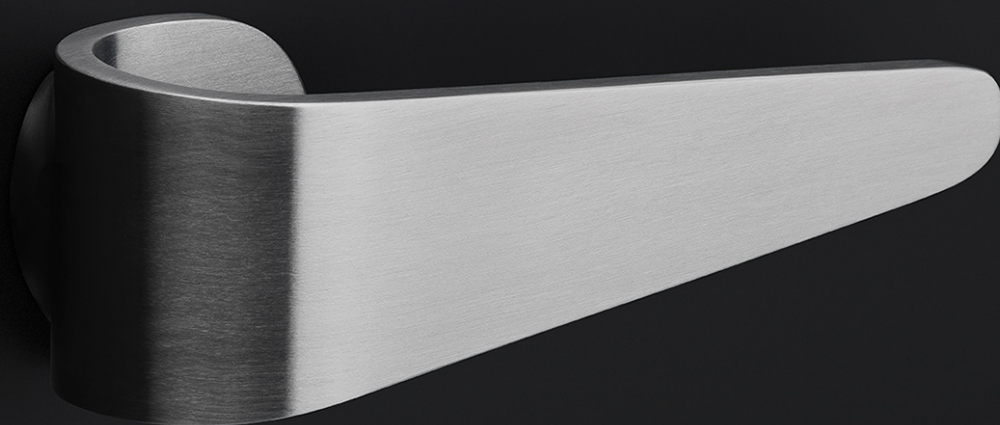
FOLD

by Tord Boontje

Our FOLD series by Tord Boontje differs fundamentally from traditional models in the way it innovatively blends the classic components of a door fitting – rosette, neck, and handle – into one single element. This is achieved thanks to an astute system with mounting akin to a bayonet system. The result is a door handle that appears to float elegantly on the door. The FOLD's single-piece handle is the first of its kind and the reason the design is considered a masterpiece – it came as no surprise when it received the Red Dot Design Award. The jury said that 'it is not only the technical concept of this door handle that is innovative, but also the implementation of the design down to the last ingenious detail.'

FOLD

by Tord Boontje



METALFORM
FORMANI®



Tord Boontje

Enschede, 1968

Design philosophy: A design is not just a design, it should tell a story.

One can recognize a Tord Boontje by its understated touch of romanticism in a playful, light-hearted yet technically innovative design. His work is inspired by nature, materials, decoration, and technology. A design by Tord Boontje is not just a design: it tells a story. Tord Boontje is interested in creating elements for everyday life that add a dimension of excitement and joy. 'Explore and use accessories to re-invent your space'. The FORMANI FOLD by Tord Boontje represents his passion for innovation and his experimental approach: the FOLD was the first lever handle to be made out of one single piece.

**METALFORM
FORMANI®**

Brand story

FORMANI has evolved considerably over the last few decades – from a Dutch family business to an internationally renowned designer brand, from door handles to total design concepts, from product development to collaborations with world-class designers. It was an evolution driven by pure ambition and courage. Our motto, ‘Obsessed with details’, epitomizes everything we do, from product to process, from strategy to service. Because it is these details that make the difference between good and perfect. At FORMANI, good is the enemy of great.

Formani Holland b.v.
Europalaan 12
6199 AB
Maastricht-Airport

T: +31(0)43 308 9000
E: info@formani.com

Chamber of Commerce:
146 27 479

**METALFORM
FORMANI®**

METALFORM

MASTERS OF METAL

UNITED KINGDOM

METALFORM

NORWAYMETAL LTD

53 Chelsea Manor Street

London, SW3 5RZ

SALES@METALFORM.UK

+44 20 81298814

GERMANY

METALFORM GMBH

Carl-Zeiss-Ring 15A

85737 Ismaning

SALES@METALFORMGROUP.DE

+49 17663630406

NORWAY

METALFORM AS

Brochmannsveien 2

1950 Rømskog

SALG@METALFORM.NO

+47 401 62 446

METALFORMGROUP

SALES@METALFORMGROUP.COM