

SIGNATURE  
EXCLUSIVE



**SIGNATURE  
COLLECTION**





**SIGNATURE  
COLLECTION**



# **SIGNATURE COLLECTION**

## **BESPOKE STEEL WINDOWS & DOORS**

### **SIGNATURE COLLECTION**

specializes in producing a comprehensive range of architectural products in steel and wrought iron, including windows, doors, partitions, gates, fences, railings, and balconies. Our products are designed to enhance both residential and commercial properties.

The **SIGNATURE COLLECTION** profiles feature advanced thermal break technology using polyamide and polyurethane, ensuring excellent heat and sound insulation. Our commitment to quality and innovation sets us apart as a leader in the industry.



**SIGNATURE  
COLLECTION**





## **SIGNATURE EXCLUSIVE**

Offers top-tier architectural products with superior heat and sound insulation. Our advanced thermal break system, utilizing polyamide and polyurethane, supports insulating glazing panels.

Designed for both residential and commercial applications, the **SIGNATURE EXCLUSIVE** system combines strong structural profiles with innovative technology, ensuring unmatched quality and performance in every product.



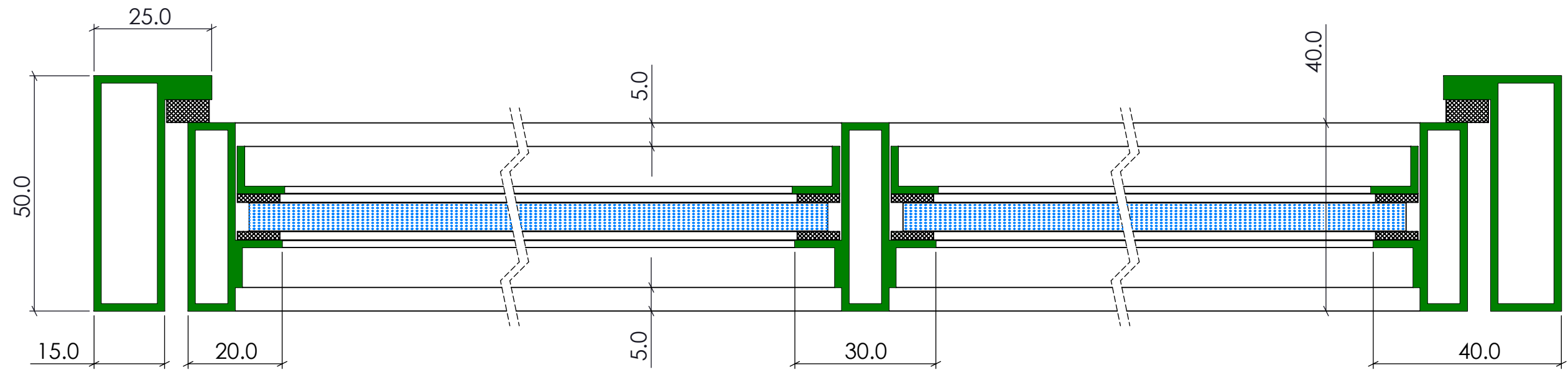
**SIGNATURE  
COLLECTION**





**SIGNATURE  
COLLECTION**

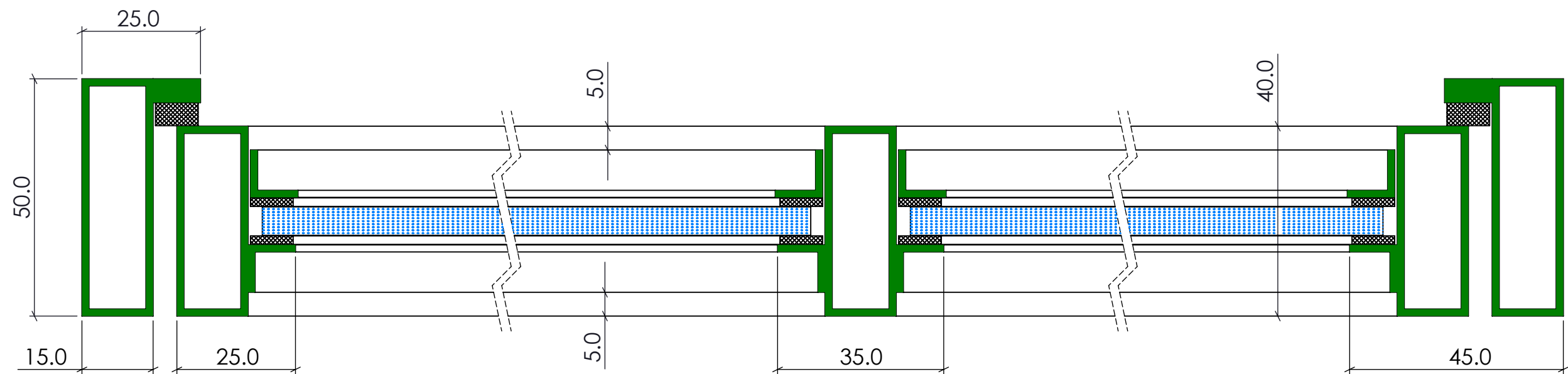




**SIGNATURE  
COLLECTION**

<b>METALFORM™</b>			
INFO	NA		
INFO	NA		
PART NAME:	<b>7_LV534</b>		
	<b>SYSTEM: OFF L10_30</b>		
DATE:	18/12/2023		
QUANTITY		SCALE	A3 1:1
PAGE:	1	TOTAL PAGES:	1

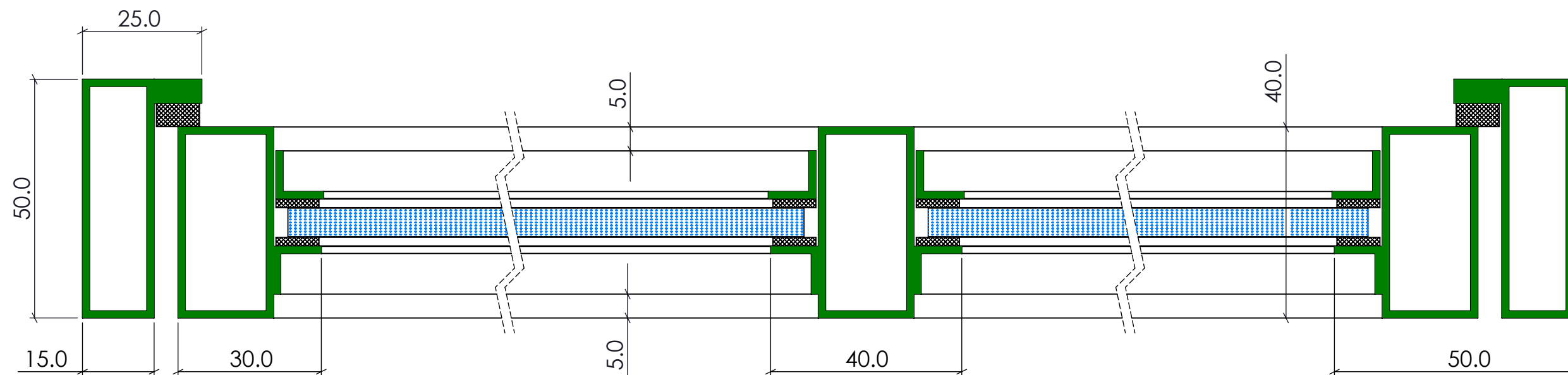




**SIGNATURE  
COLLECTION**

<b>METALFORM™</b>			
INFO	NA		
INFO	NA		
PART NAME:	<b>8_LV534</b>		
	<b>SYSTEM: OFF L10_35</b>		
DATE:	18/12/2023		
QUANTITY		SCALE	A3 1:1
PAGE:	1	TOTAL PAGES:	1





**SIGNATURE  
COLLECTION**

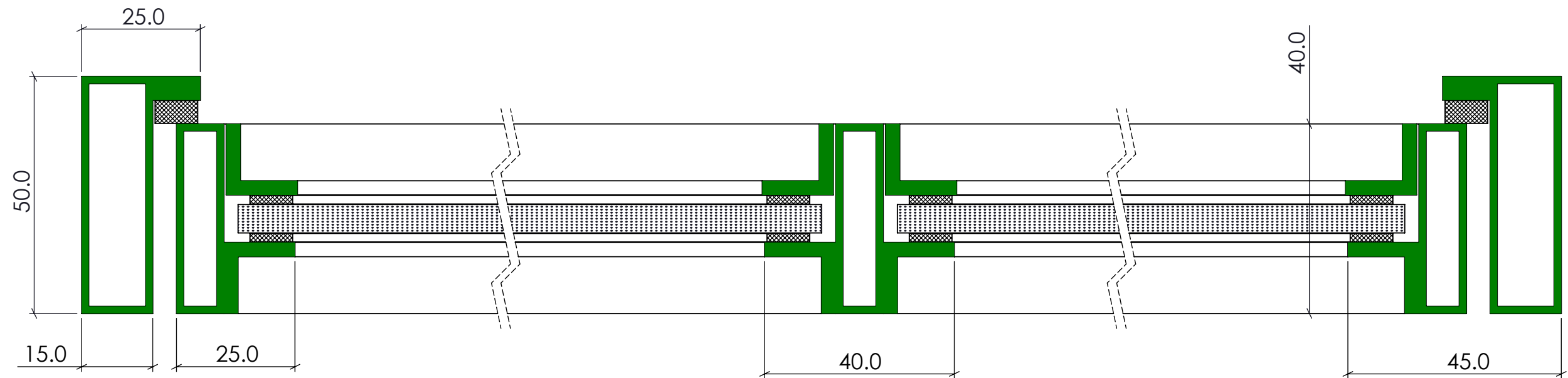
<b>METALFORM™</b>			
INFO	NA		
INFO	NA		
PART NAME:	<b>9_LV534</b>		
	<b>SYSTEM: OFF L10_40</b>		
DATE:	18/12/2023		
QUANTITY		SCALE	A3 1:1
PAGE:	1	TOTAL PAGES:	1





**SIGNATURE  
COLLECTION**





**SIGNATURE  
COLLECTION**

<b>METALFORM™</b>			
INFO	NA		
INFO	NA		
PART NAME:	<b>10_LV534</b>		
	<b>SYSTEM: FF L15_40</b>		
DATE:	19/12/2023		
QUANTITY		SCALE	A3 1:1
PAGE:	1	TOTAL PAGES:	1





**SIGNATURE  
COLLECTION**



The **SIGNATURE EXCLUSIVE** system utilizes high-quality materials, specifically polyamide and polyurethane, for its advanced thermal break technology. Polyamide offers exceptional thermal insulation, significantly reducing heat transfer, while polyurethane adds structural strength and durability.

These materials are chosen for their superior insulating properties, ensuring optimal energy efficiency and sound insulation.

Their robustness and resistance to environmental factors make them ideal for both residential and commercial applications, providing long-lasting, reliable performance.



**SIGNATURE  
COLLECTION**



# METALFORM

MASTERS OF METAL

**UNITED KINGDOM**

**METALFORM**

**NORWAYMETAL LTD**

53 Chelsea Manor Street

London, SW3 5RZ

**SALES@METALFORM.UK**

**+44 20 81298814**

**GERMANY**

**METALFORM GMBH**

Carl-Zeiss-Ring 15A

85737 Ismaning

**SALES@METALFORMGROUP.DE**

**+49 17663630406**

**NORWAY**

**METALFORM AS**

Brochmannsveien 2

1950 Rømskog

**SALG@METALFORM.NO**

**+47 401 62 446**

**METALFORMGROUP**

**SALES@METALFORMGROUP.COM**